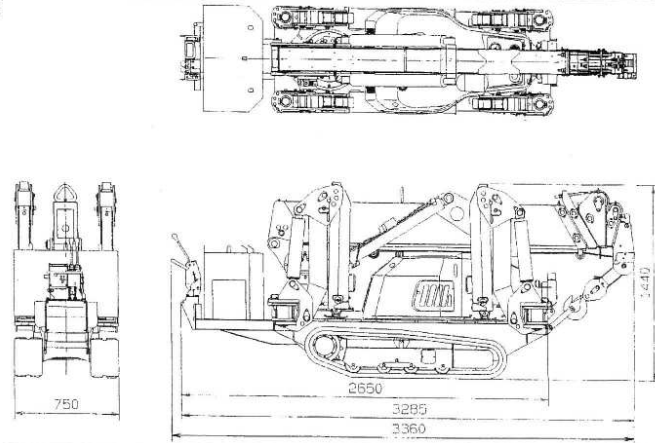


MAEDA Mini Crawler Crane Series

MC285CRM(E)

General View

MC285CRM-E



Specification

Model	MC285CRM(E)	Traction system		
Crane capacity	2.82t × 1.4m	Drive	Hydrastatic type Stepless forward and reverse	
Max. working radius	8.205m	Travel speed	0~2.2km/h	
Max. lifting height	Approx. 8.7m	Gradability	20.0°	
Winch System	Hook speed	8m/min (with 3 layers & 4 falls)	Crawler ground length	975mm
	Rope hoisting speed	32m/min (4 layers)	Ground pressure	43.2kPa (0.44kgf/cm ²)
	Wire rope	IWRC 6 × Ws(29) φ 7mm × 48m	Crawler width	200mm
	Breaking strength	41kN		
	Hoist method	Hydraulic motor driven planetary gear reduction with hydraulic disc break		
Telescopic system	Boom length	2.535m~8.575m	Engine	
	Telescoping speed	6.04m/22sec	Model	YANMAR"2TNE68-ME"
	Boom type	Fully powered boom	Max. output	6.57kw (9PS) / 2600min ⁻¹ (rpm)
	Telescopic method	5-section hydraulic telescoping boom of pentagonal box construction	Starting method	Both electric start and recoil start are available
Derricking System	Derricking angle/Time	0~80° /14sec	Fuel	Diesel
	Derricking method	Double acting type hydraulic cylinders	Fuel tank capacity	12L
Slewing System	Slewing angle/Speed	360° (continuous)/2.3min ⁻¹	Overall length × overall width × overall height	2.715mm × 750mm × 1440mm (3.360mm × 750mm × 1440mm)
	Slewing method	Hydraulic motor driven , worm and spur gear reduction with self-locking	Machine weight	1720kg (1,900kg)
Outriggers	Outriggers	Box type with stay dumper × 4pcs Direct push type hydraulic cylinders with pilot check valves	Safety system	Moment Limiter (overwinding alarm/stop and Overloading alarm/stop) , Boom angle indicator with load indicator , Overload regulating hydraulic safety valve , Automatic hydraulic lock , Pilot check valves for Outrigger cylinders , Hook safety latch , Automatic hydraulic disk brake for winch , Self-locking for slewing , Level gauge , Stopping device when the remaining rope come to 3 rolls on the drum
			Standard Equipment	
			—15m cable type remote controller	1 set
			—Operation manual	1 set
			—Standard tool	1 set
			—Machine cover	1 set
			Optional Equipment	—White Rubber Crawlers

● Due to improvements , the specifications are subject to change without notice.



MAEDA